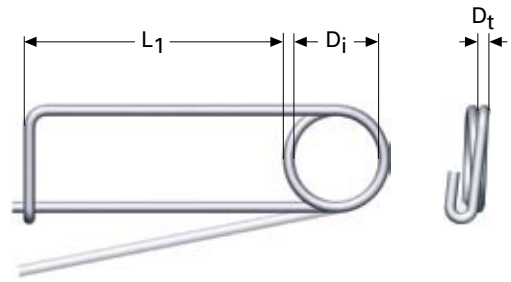
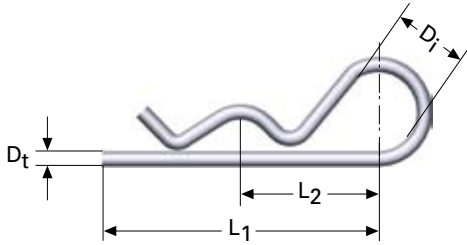


PINS

LSA, LSB, LSC, LST



LOCKING PIN LSA

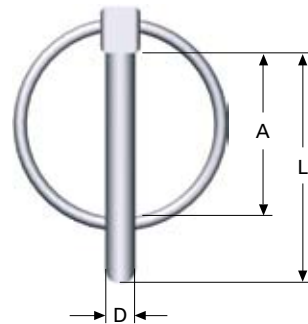
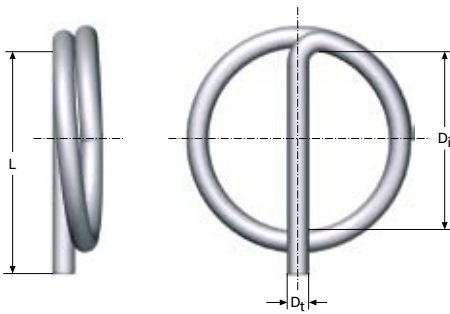
Material: Spring steel EN 10270-1-SM
Stainless steel EN 10270-3-1.4310

D _t	D _i	L ₁	L ₂	For shaft Ø	Drill hole	SS1774-04 Cat.no	SS2331-06 Cat.no
1,2	6	22	11	5-9	1,5		4220
1,5	8	28	14	7-11	2		4221
2	10	36	18	10-15	2,5	4216	4222
3	15	54	27	14-22	4	4217	4223
4	20	72	36	20-30	5	4218	4224
5	25	90	45	25-35	6	4219	

LOCKING PIN LSB

Material: Spring steel EN 10270-1-SM
Stainless steel EN 10270-3-1.4310

D _t	D _i	L	Drill hole	SS1774-04 Cat.no	SS2331-06 Cat. no.
2	15	45	2,5	4226	4230
3	18	55	4	4227	4231
4	22	65	5	4228	
5	25	75	6	4229	



LOCKING PIN LSC

For locking on shaft pin with hole.
Material: Stainless steel DIN 10270-3-1.4310

D _t	D _i	L	For shaft Ø	Cat. no.
1	8,2	10	7-8	8635
1,2	10,3	12,5	9-10	8636
1,3	12,3	14,5	11-12	8637
1,4	14,4	17	13-14	8638
1,5	16,4	19	15-16	8639
1,7	18,5	22	16-18	8640
1,8	20,5	24	19-20	8641
1,9	22,6	26,5	21-22	8642
2	25,8	30	23-25	8643
2,5	31	36	26-30	8644

LOCKING PIN LST

Locking pin for shaft (tractor pin).
Material: Spring steel EN 10270-1-SM
Finish: Galvanised and yellow chromated

D	A	L	Cat. no.
4,5	25	35	7602
6	32	45	7603
8	34	45	7604
9,5	34	45	7605
11	34	51	7606