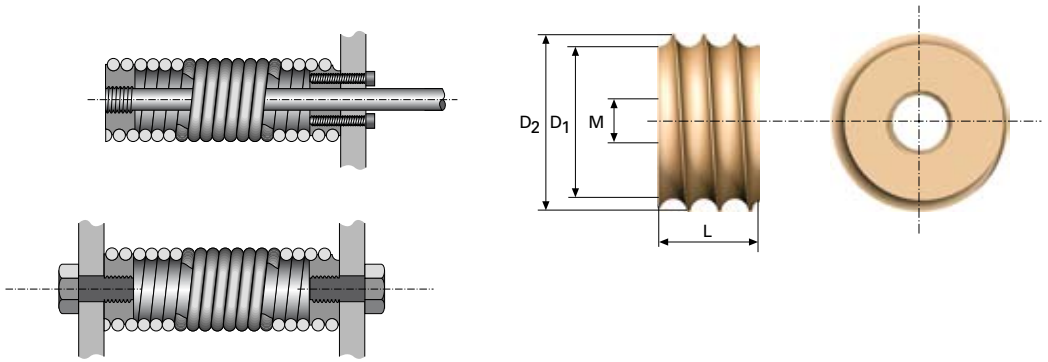


THREAD FITTING

SF-GF



Thread fitting for assembly in extension spring coils, see previous pages. This fitting is safer than conventional loops, which is why higher loads are permitted on the spring. The coil can be cut into the required length, and the fitting can be mounted without any special tools.

The fitting can also be used for compression springs, where the end coils are not ground. Special manufactured springs with two tightly wound coils at each end must then be ordered.

All dimensions are in mm

D_t = Wire diameter

D_y = Outer diameter

D_1 = Diameter, bottom of thread

D_2 = Diameter, thread

L = Length

A = Thread

Material: Automatic steel

Finish: Galvanised and yellow chromated

D_t	D_y	D_1	D_2	L	A	Cat.no
2,5	16	11	13	8	M6	8645
2,5	18	13	15	8	M6	8646
2,5	20	15	17	8	M6	8647
2,5	22	17	19	8	M6	8648
3	18	12	14,5	10	M6	8649
3	20	14	16,5	10	M6	8650
3	22	16	18,5	10	M6	8651
3	25	19	21,5	10	M6	8652
3,5	20	13	16	12	M8	8653
3,5	22	15	18	12	M8	8654
3,5	25	18	21	12	M8	8655
3,5	30	23	26	12	M8	8656
4	25	17	20	14	M8	8657
4	30	22	25	14	M8	8658
4	35	27	30	14	M8	8659
4	40	32	35	14	M8	8660
5	30	20	24	18	M10	8661
5	35	25	29	18	M10	8662
5	40	30	34	18	M10	8663
5	45	35	39	18	M10	8664
6	35	23	28	20	M12	8665
6	40	28	33	20	M12	8666
6	45	33	38	20	M12	8667
6	50	38	43	20	M12	8668